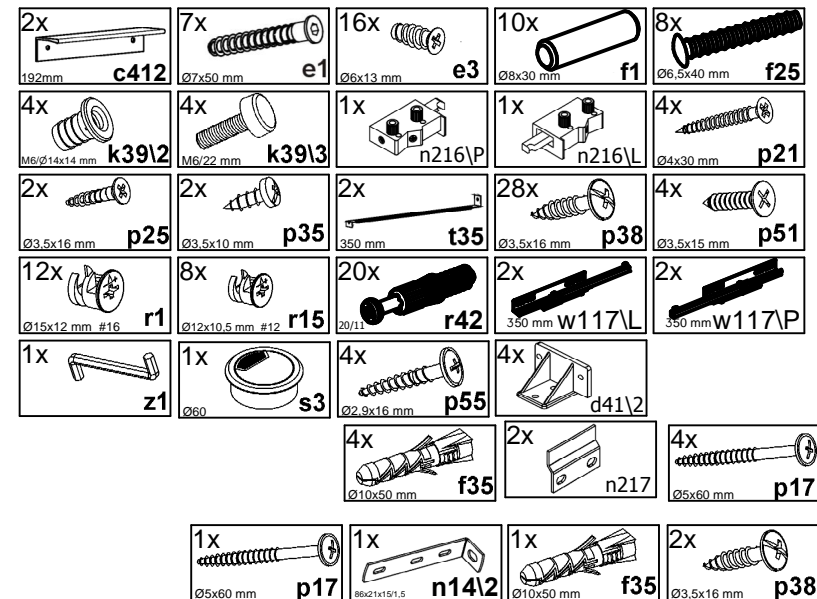
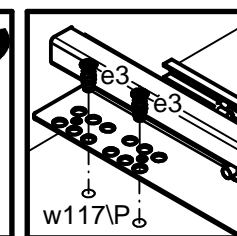
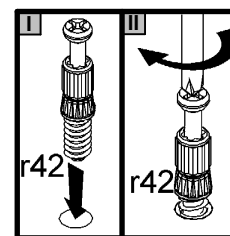
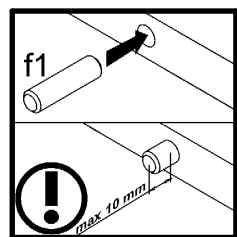
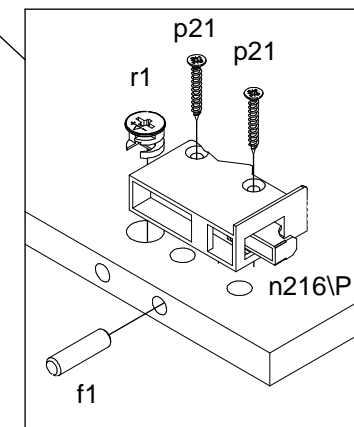
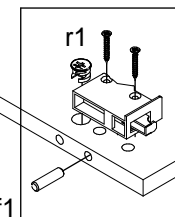
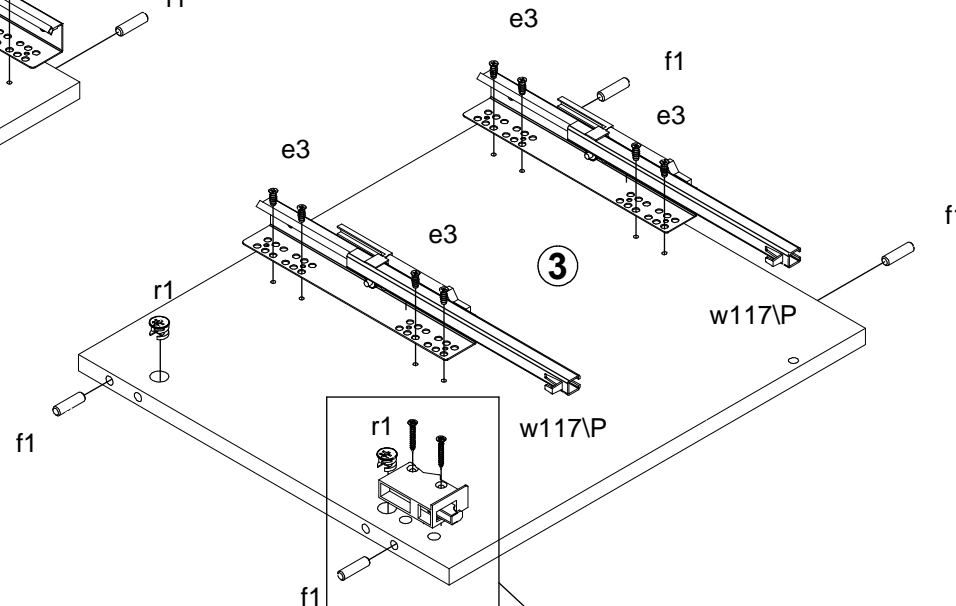
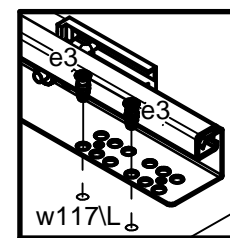
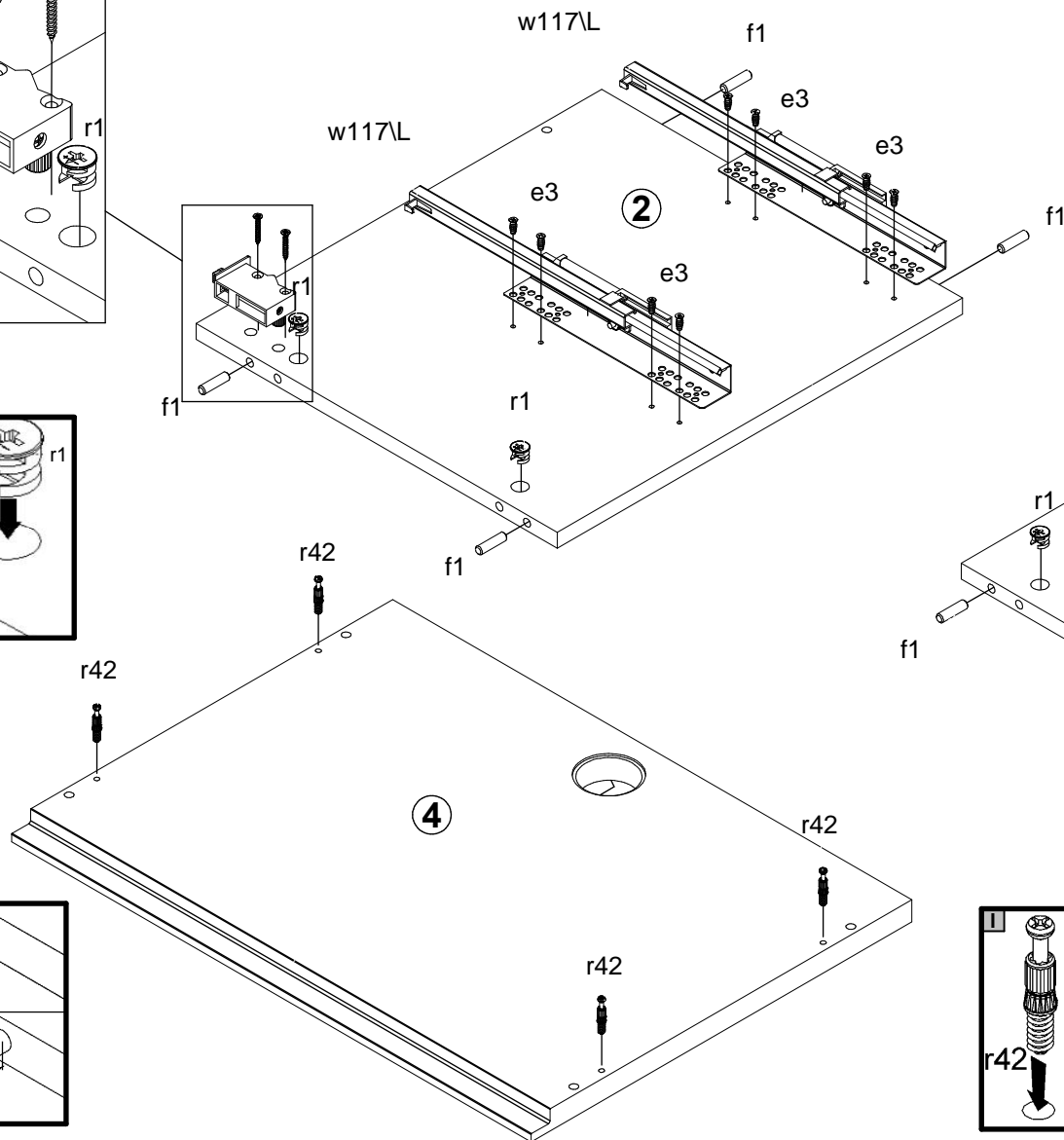
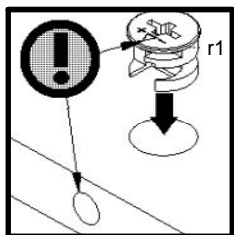
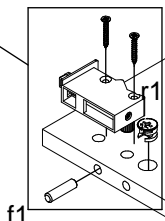
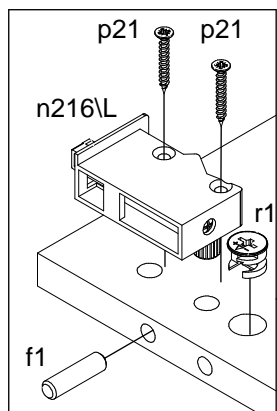


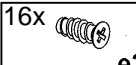


A	B	C1	C2	C3	D
1	S507-0005	244	596	19	1/1
2	S507-1014	468	417	16	1/1
3	S507-1015	468	417	16	1/1
4	S507-2006	600	440	22	1/1
5	S507-2007	600	418	16	1/1
6	S507-4002	290	100	16	1/1
7	S507-4005	290	100	16	1/1
8	S507-4006	500	100	16	1/1
9	S507-4009	599	100	16	1/1
10	S507-4010	467	100	16	1/1
11	S507-4503	144	567	16	1/1
12	WSP-9281	537	358	2,5	1/1
13	ZQ6-5079	527	127	15	1/1
14	ZQ6-511	350	140	12	1/1
15	ZQ6-512	350	140	12	1/1




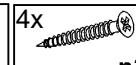


1 

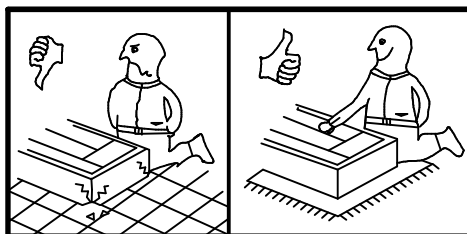
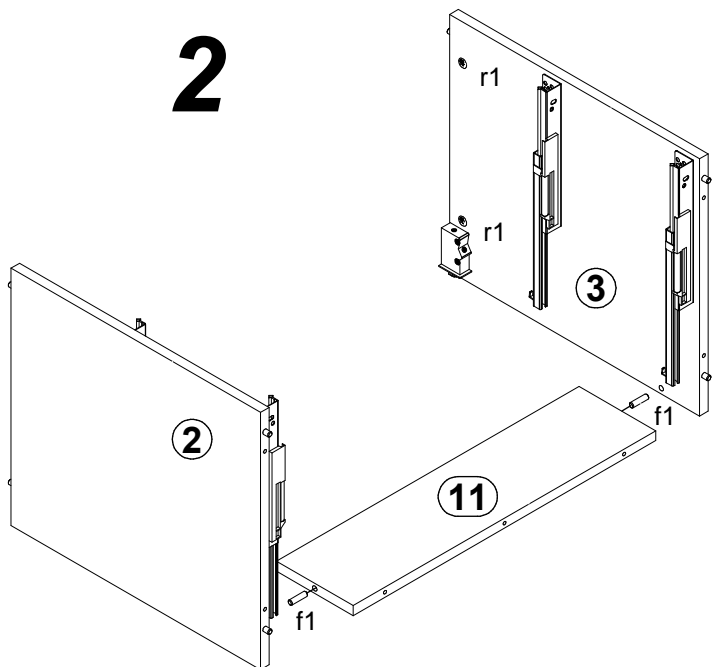


- 2x

350 mm W117\L
- 2x

350 mm W117\P
- 16x

Ø6x13 mm e3
- 4x

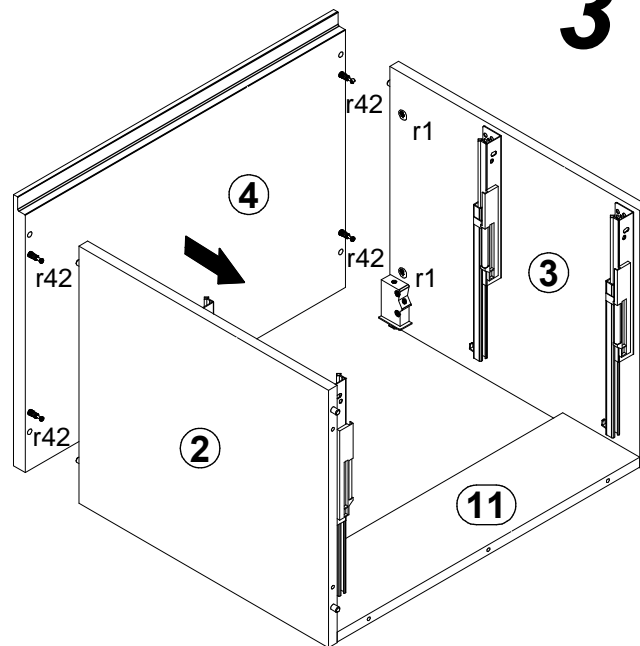
Ø15x12 mm #16 r1
- 4x

20/11 r42
- 8x

Ø8x30 mm f1
- 1x

n216\P
- 1x

n216\L
- 4x

Ø4x30 mm p21

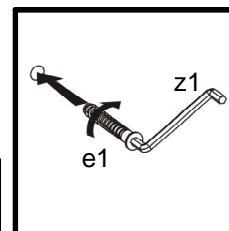
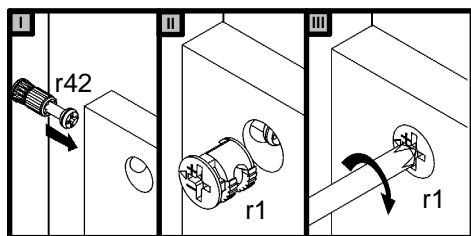
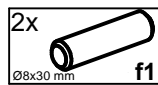
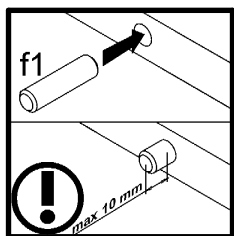
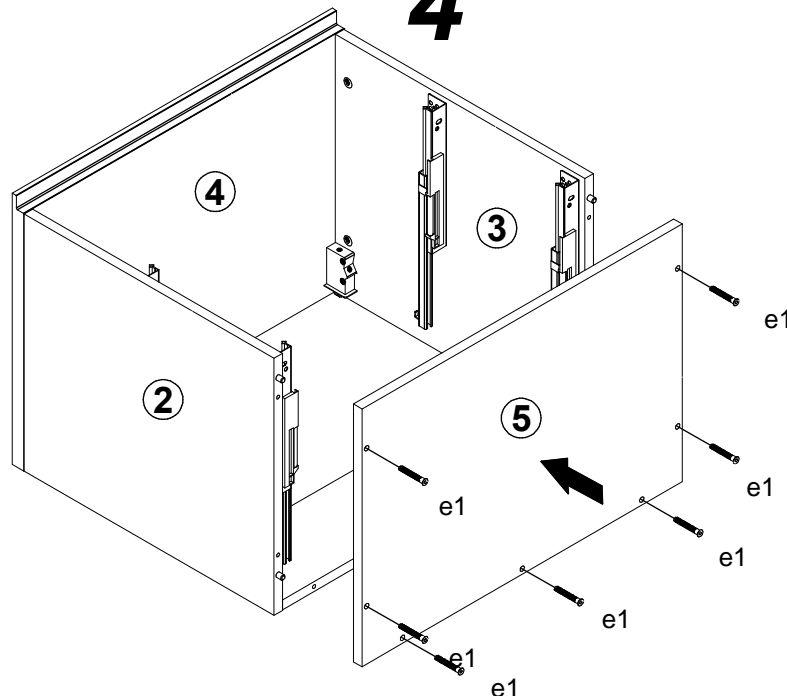
2



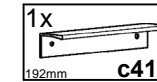
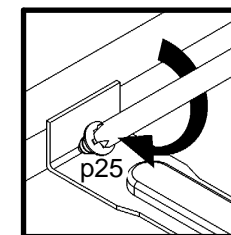
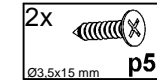
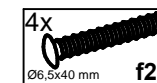
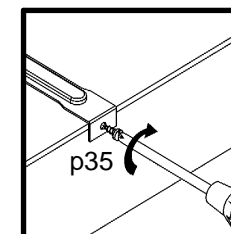
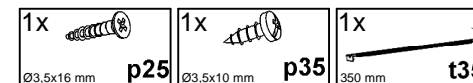
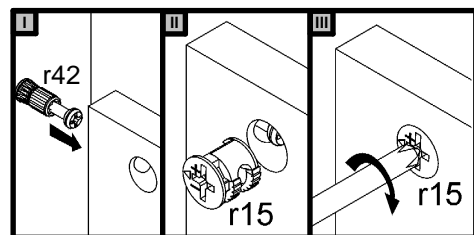
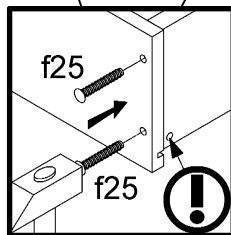
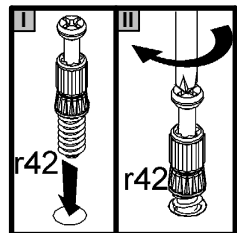
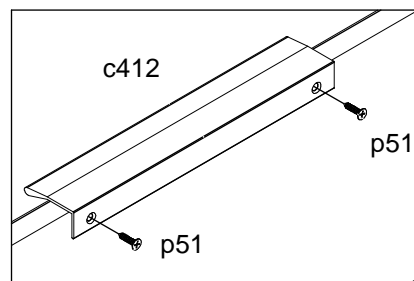
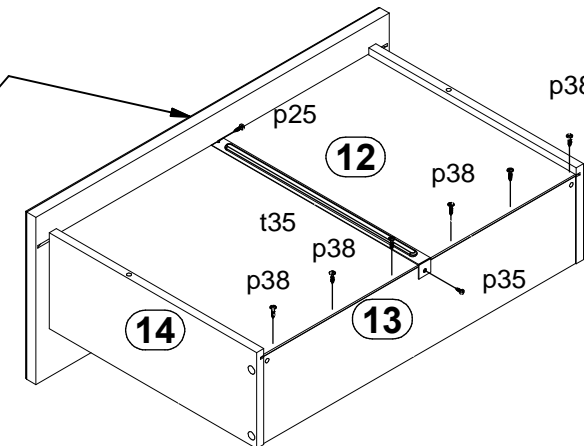
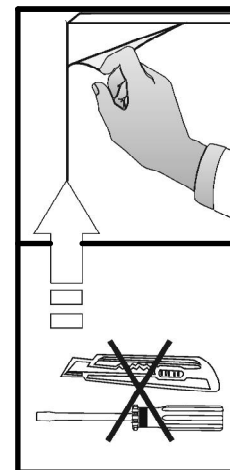
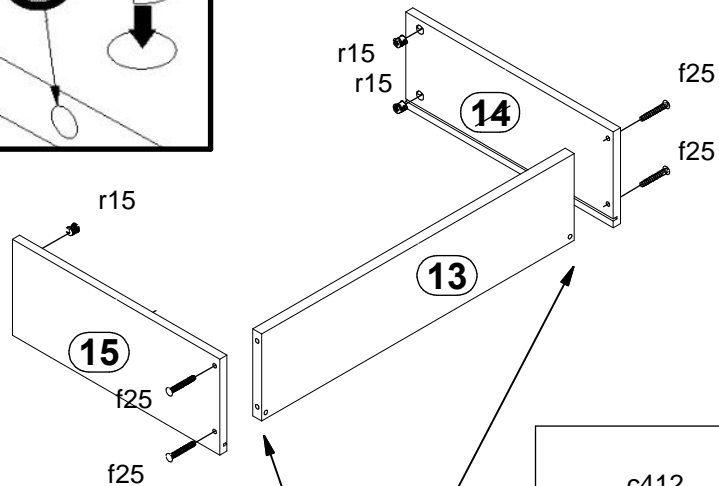
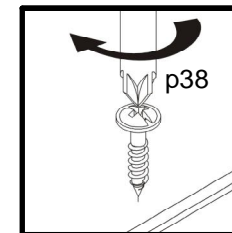
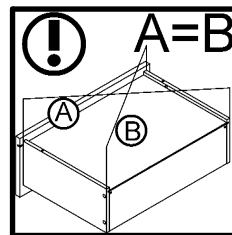
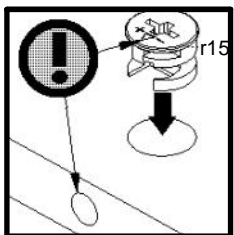
3



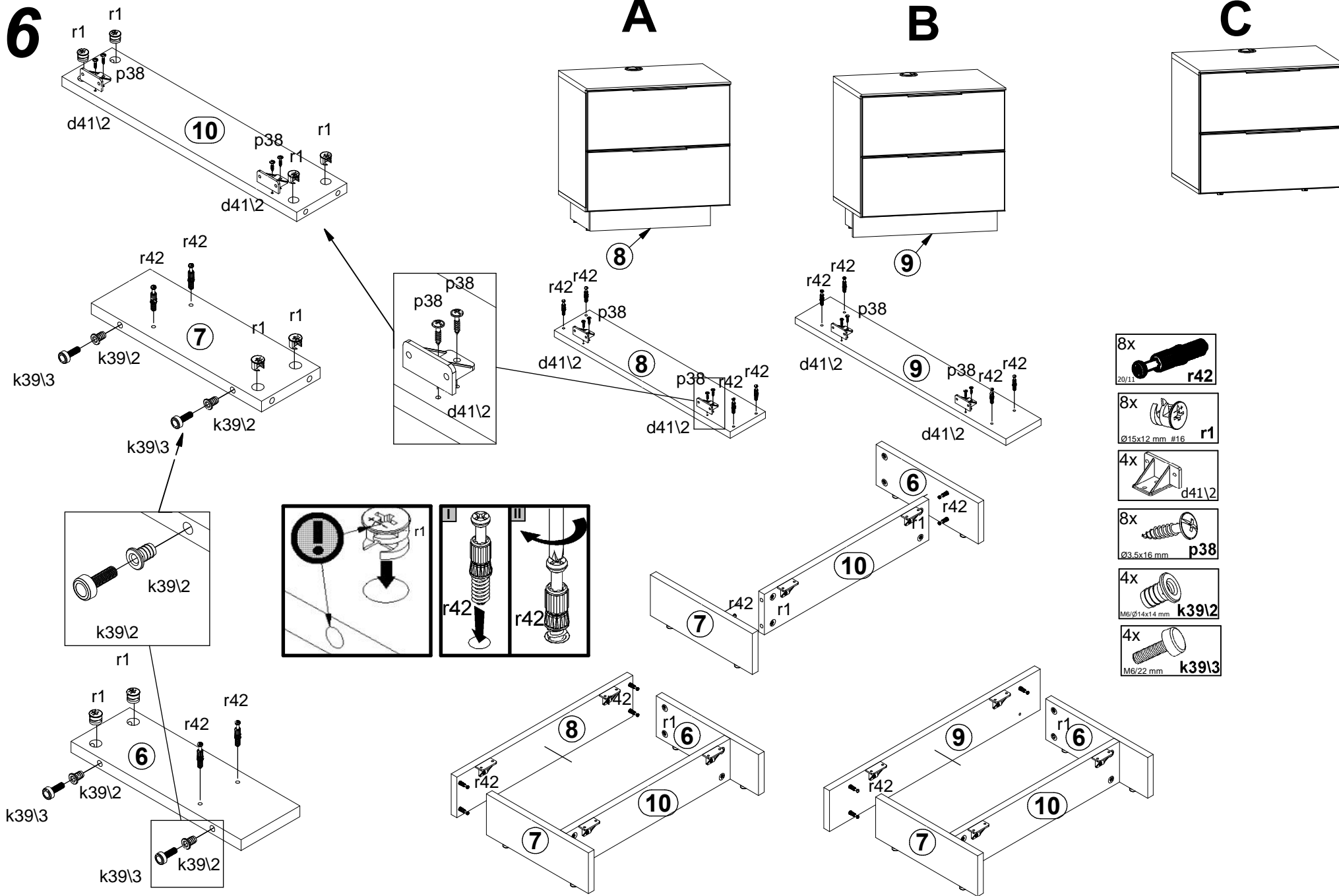
4



5



6



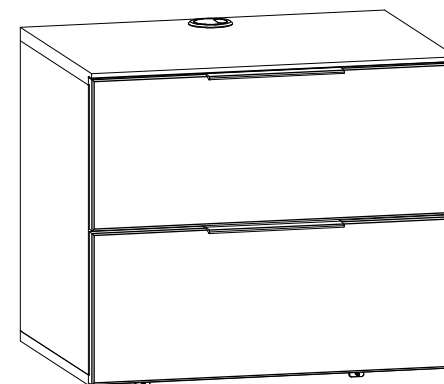
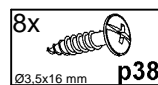
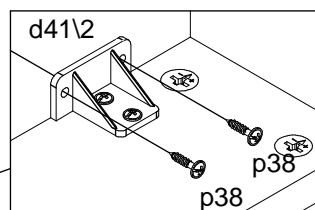
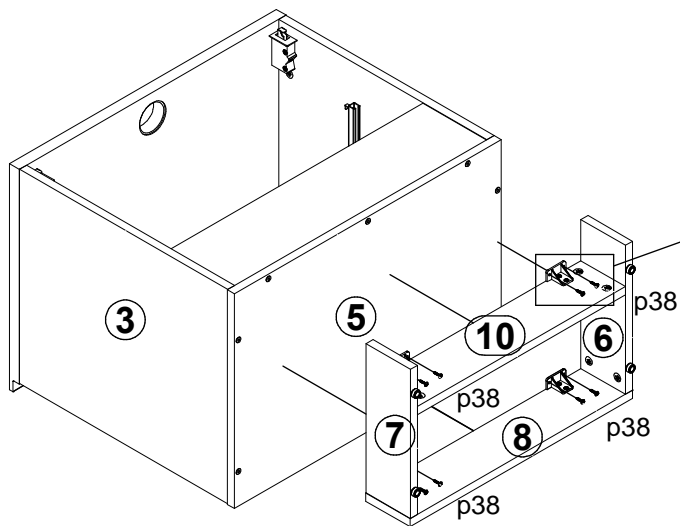
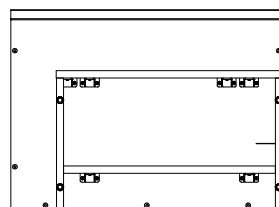
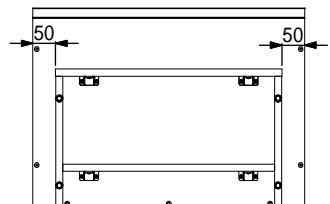
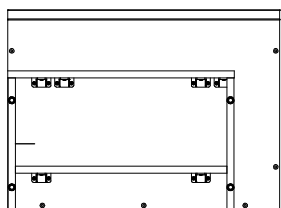
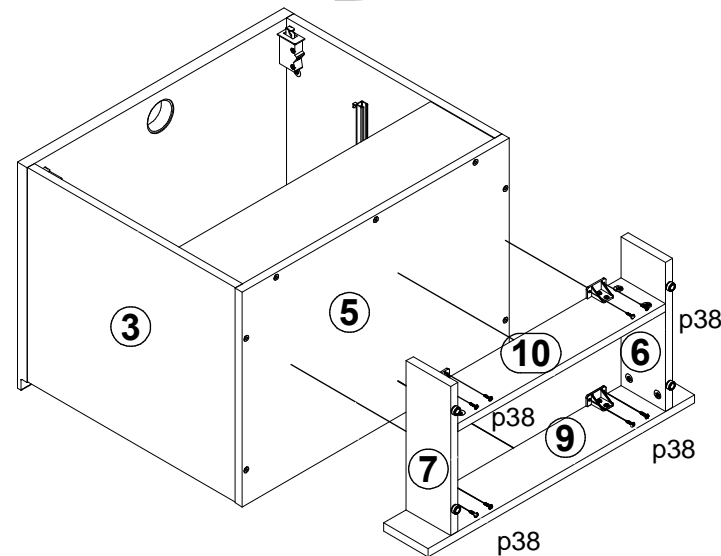
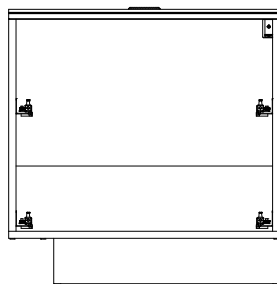
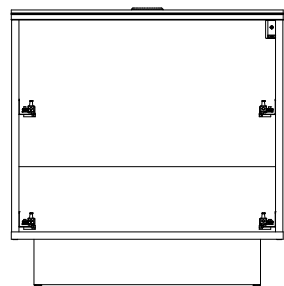
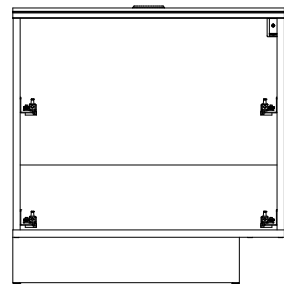
7 AL



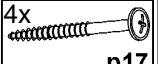

A

AP

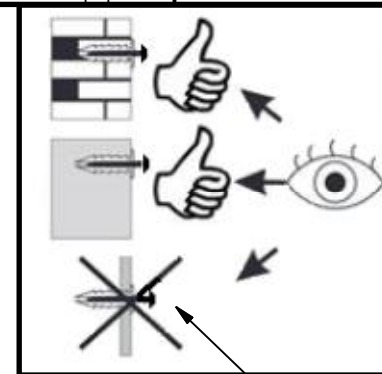
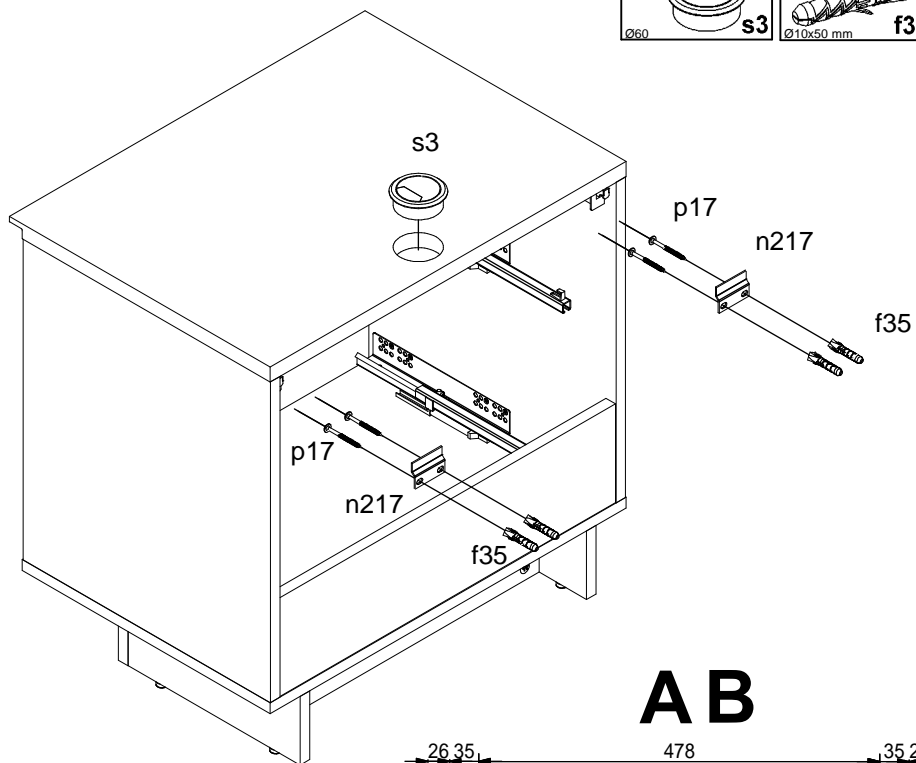
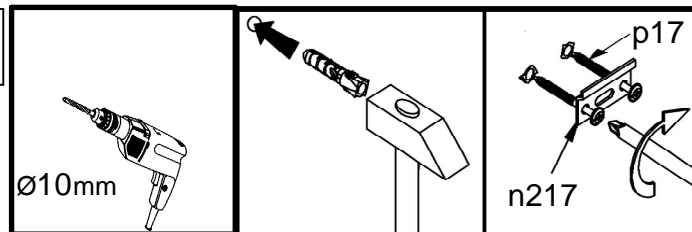
B

C



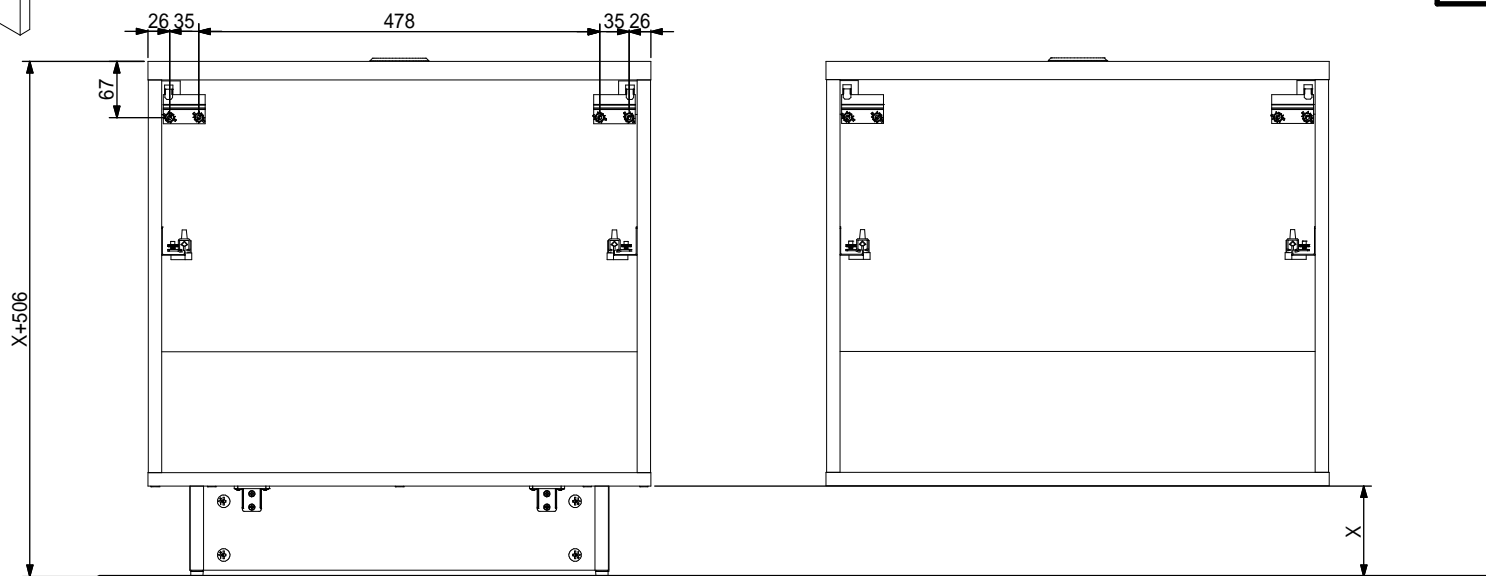
- 1x  s3
- 4x  f35
- 4x  p17
- 2x  n217

8



AB

C



6

